



**VISTA  
PROFESSIONAL  
OUTDOOR  
LIGHTING**

Type: \_\_\_\_\_

Model: \_\_\_\_\_

Project: \_\_\_\_\_

## SPECIFICATION SHEET

### MODEL: 2216 - 12V SERIES: UP AND ACCENT LIGHTS

#### SPECIFICATIONS:

**HOUSING:**

Die-cast, copper-free aluminum.

**SHROUD:**

Die-cast, copper-free aluminum fitted to the housing with dual silicone o-ring gaskets – providing a superior weather-tight seal.

**FINISH:**

Polyester powder-coated finish available in Black, Verde, Architectural Brick, Architectural Bronze, Granite, Pewter, Terracotta, Rust, Hunter Green, Mocha, Weathered Bronze, Weathered Iron, and White.

**SOCKET/LAMP HOLDER:**

Top grade ceramic socket with nickel contacts, stainless steel springs, and Teflon-jacketed wire leads.

**LENS:**

Clear, tempered, shock and heat-resistant, soda-lime glass lens. Optical effect lenses are available; see accessories column on fixture ordering information chart.

**LAMP TYPE:**

MR-16 Halogen – 50W maximum. LN-20 BAB (20W) Standard.

*(See back page for LED lamp specifications)*

**MOUNTING:**

Injection-molded, Zytel® HTN glass-reinforced Nylon adjustable knuckle with 1/2" NPT. Fixture may be mounted

into threaded hubs in junction boxes, ground stakes, tree-mount boxes, or mounting canopies. Please see fixture ordering information for mounting selection.

**FASTENERS:**

All fasteners are stainless steel.

**WIRING:**

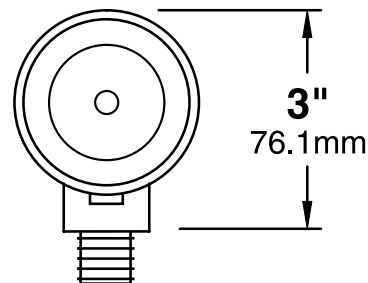
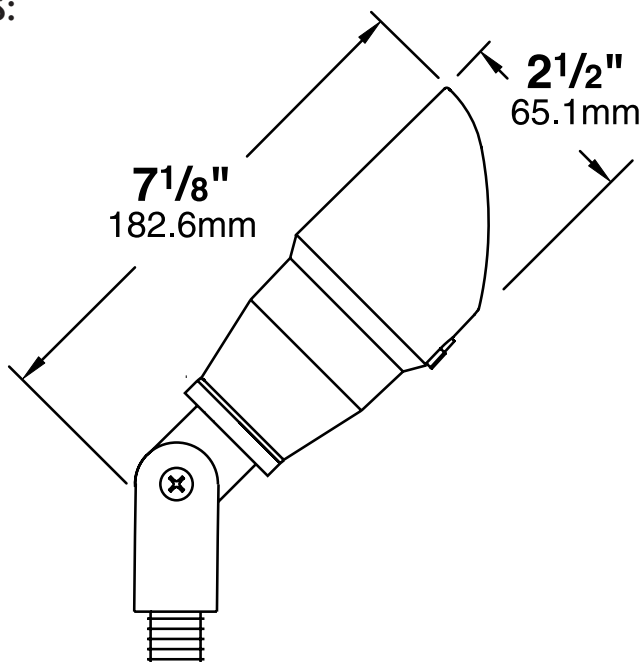
Prewired with a three-foot pigtail of 18-2 direct-burial cable and underground connectors for a secure connection to the supply cable.

**CERTIFICATION:**

UL Listed to U.S. and Canadian safety standards for low voltage landscape luminaires (UL 1838). The maximum wattages allowed by Underwriters Laboratories (UL) for the U.S. and Canadian markets may vary. Maximum wattages specified are Underwriters Laboratories U.S. standard. Please contact Vista for any questions about the maximum wattages allowed by UL Canadian standards.

All Vista luminaires are **MADE IN THE U.S.A.**

#### DIMENSIONS:



In an effort to improve product design U.S.T.E., Inc. reserves the right to modify the specifications of this fixture.

1625 Surveyor Avenue • Simi Valley, CA 93063 • (805) 527-0987 • (800) 766-VISTA (8478)

FAX: (888) 670-VISTA (8478) • email@vistapro.com • www.vistapro.com



**LED LAMP SPECIFICATIONS** (if applicable) :

**LAMP TYPE:**

Type 3 Luxeon High Output LED with Vista exclusive smart-driver, powered to operate for 50,000 hours.

**OPTICS:**

Integral high-efficiency optics available in spot through flood beam spreads.

**ELECTRICAL:**

Input voltage range 5–15V AC, regulated to achieve uniform illumination throughout the cable run of fixtures. Integral surge & reverse polarity protection.

**FIXTURE ORDERING INFORMATION**

**TO ORDER FIXTURE:** Select appropriate choice from each column as in the following example

EXAMPLE: GR-2216-B-BAB-FR-HL

MOUNTING	CATALOG NO.	FINISH	LAMP	ACCESSORIES
<b>GR-</b> ABS ground stake incl. <b>WR-</b> Wall-mount canopy incl. <b>TR-</b> Tree-mount junction box incl. <b>WB-</b> Solid brass wall-mount canopy incl.	<b>2216</b>	<b>B</b> – Black <b>G</b> – Verde <b>BR</b> – Architectural Brick <b>Z</b> –Architectural Bronze <b>GT</b> – Granite <b>P</b> –Pewter <b>TC</b> – Terracotta <b>R</b> – Rust <b>HG</b> – Hunter Green <b>M</b> –Mocha <b>WB</b> –Weathered Bronze <b>WI</b> –Weathered Iron <b>W</b> –White	(Please see lamp order code column on lamp guide, Vista product catalog.)	<b>BL</b> – Flat Cool Blue lens <b>SL</b> – Flat Spread lens <b>FR</b> – Flat Frosted lens <b>CX</b> – Convex Clear lens <b>CFR</b> – Convex Frosted lens <b>DBL</b> – Flat Dark Blue lens <b>GL</b> – Flat Dark Green lens <b>RL</b> – Flat Red lens <b>YL</b> – Flat Amber lens  <b>HL</b> – Honeycomb louver

Fixtures shipped with standard lamp, unless otherwise specified.

Fixtures shipped with specified mounting hardware.